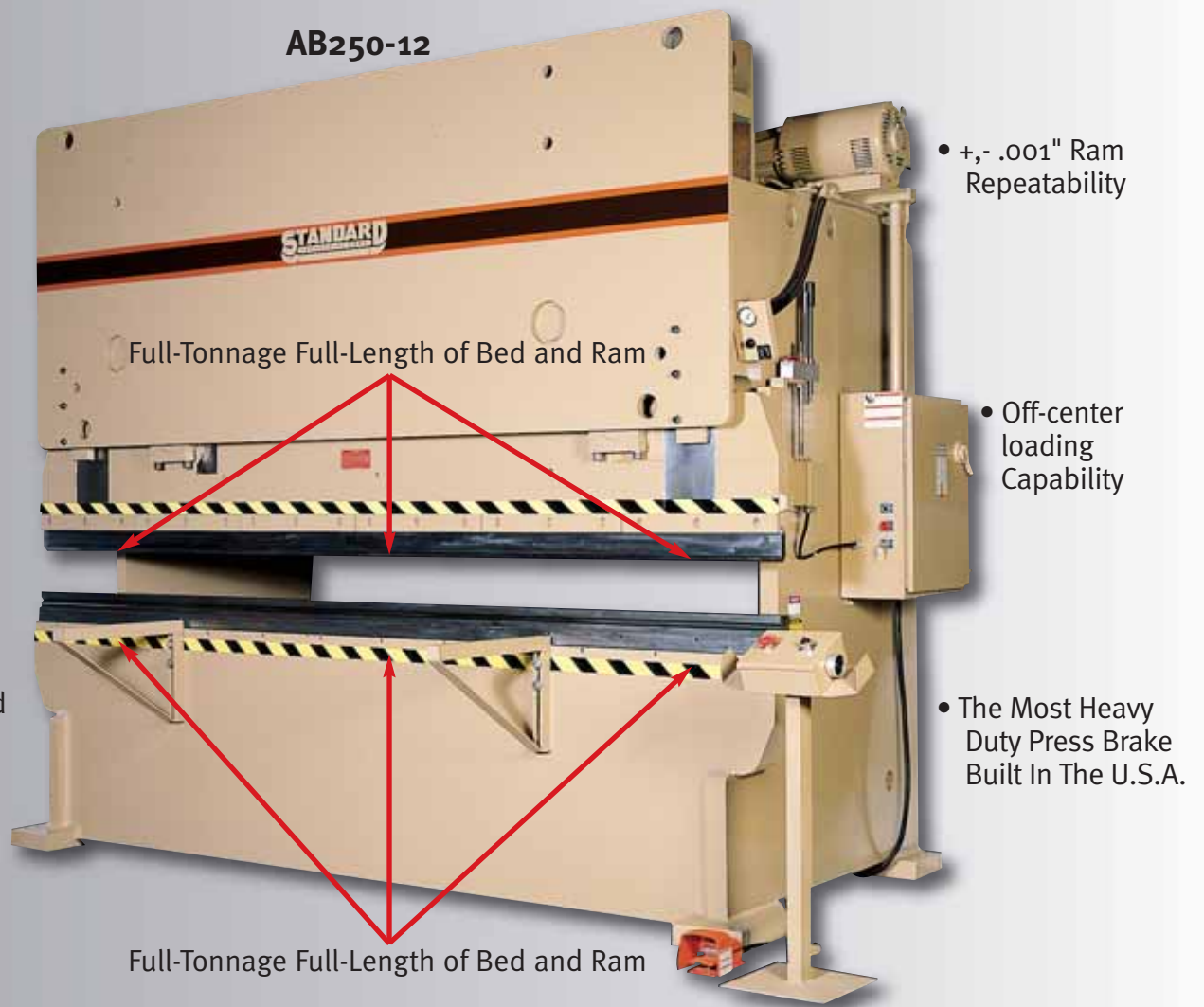


# Why It Is Important For You To Buy A Standard Industrial Press Brake

- Standard Industrial is 100% Owned, Operated and Manufactured In The U.S.A.
- 5 Year Across The Board Parts and Limited Labor Warranty
- Unheard of Factory and Dealer Service and Support



• Full-Tonnage Throughout Stroke

• Typical 30+ Year Lifetime, Plus a Lifetime of Parts and Service Availability

• Solid, Non-Moveable Lower Beam Substantially More Rigid Than “Bed Level” press Brakes

• +/- .001" Ram Repeatability

• Off-center loading Capability

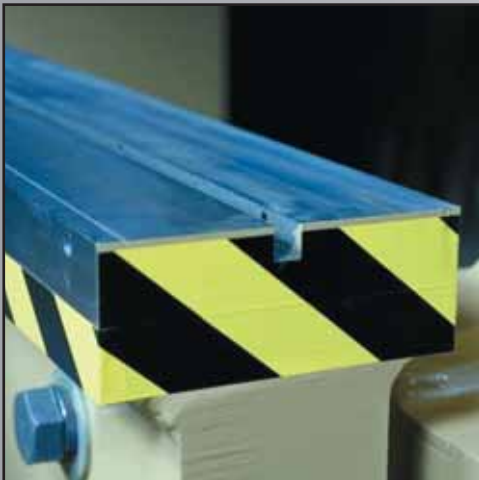
• The Most Heavy Duty Press Brake Built In The U.S.A.

Full-Tonnage Full-Length of Bed and Ram

• Extremely Heavy-Duty lower beams allowing the least amount of deflection. Less Deflection = Longer Tool Life = More Profitability.

• All Components are readily available from your local suppliers and are covered by our 5 year warranty

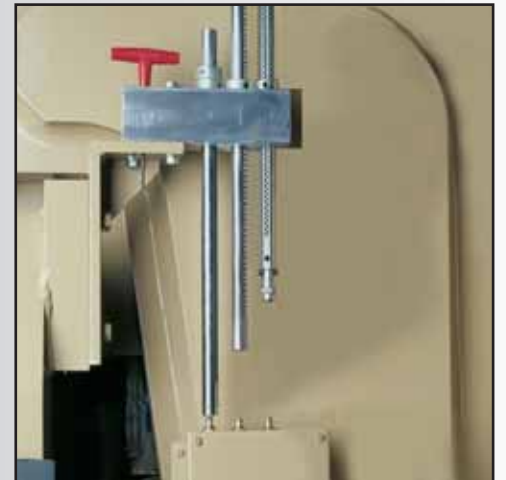
• Precision mechanical in-line depth stop as back-up for any CNC control



2 • Groove in bed for tooling is standard on all brakes.



• All parts will be readily available for a lifetime from anywhere in the U.S.A.



• The in-line depth stop insures NO Down-Time due to computer failure.

# Quality Assured

- Simple and Precise Ram level Indicator



- Always visible, easy to read

- Simple and Precise Ram Level Adjustment



- Infinite ram to bed level adjustment of  $\pm 1/8$ " from centerline

- Newly designed compact rams with minimal overhang



- Provides full forming ability

## Single Cylinder Hydra-Mechanical Drive System



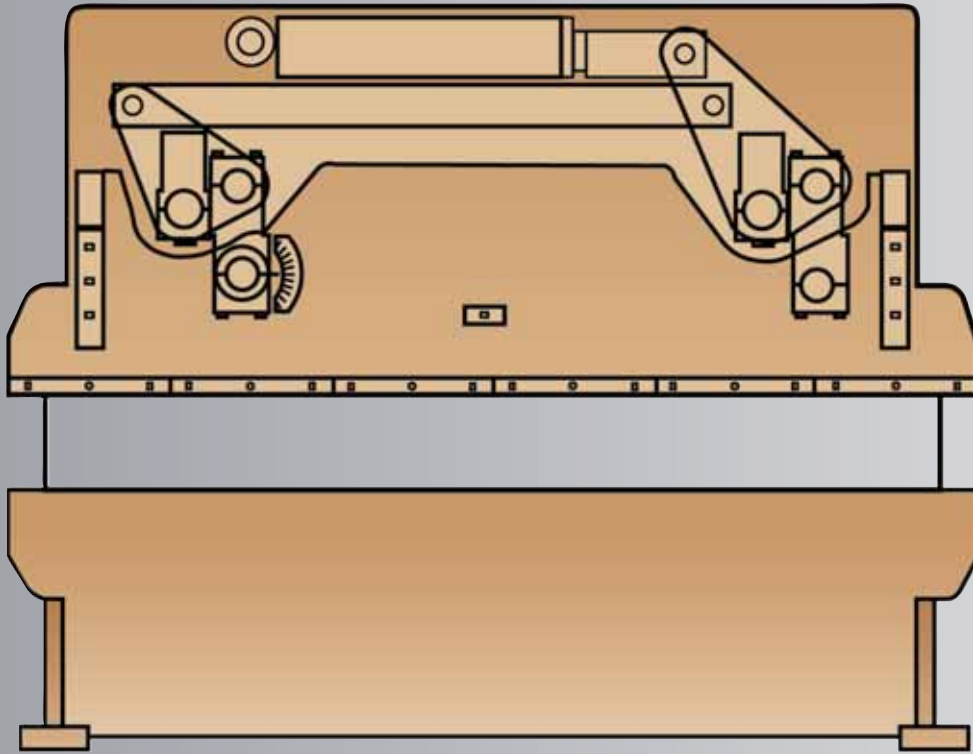
- Each A660 bronze bearing is guaranteed for 5 Years
- Our exclusive 1 Cylinder design means no balancing act like 2 cylinder systems with uneven tonnage.
- Each bearing is designed to withstand 6 Times Total Tonnage of brake
- Full tonnage throughout stroke and full tonnage the entire length of the bed and ram

## New Manifold Based Hydraulic System

- Incredibly Simple To Troubleshoot
- All Parts Available To You locally
- Exceptional Ram Speeds For Fastest Strokes Per Minute
- 5 Year Parts Coverage
- Fewer Hoses, Tubing, Fittings Provides Far LESS Maintenance And Downtime
- Located overhead to provide clear operator area

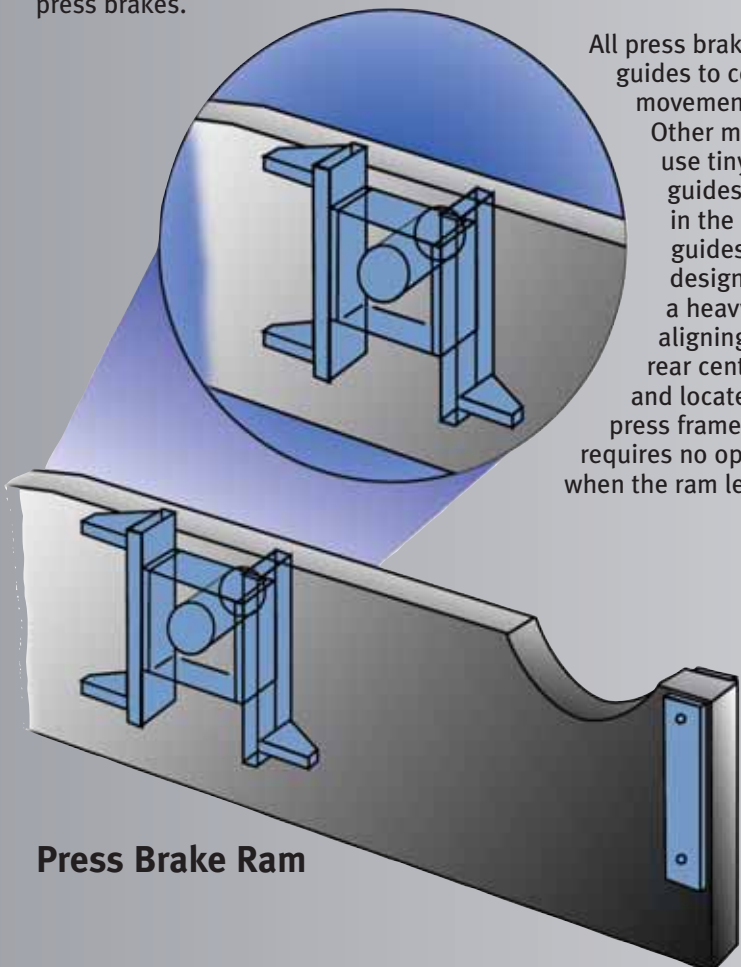


# 100% Owned, Operated and Manufactured In The U.S.A.

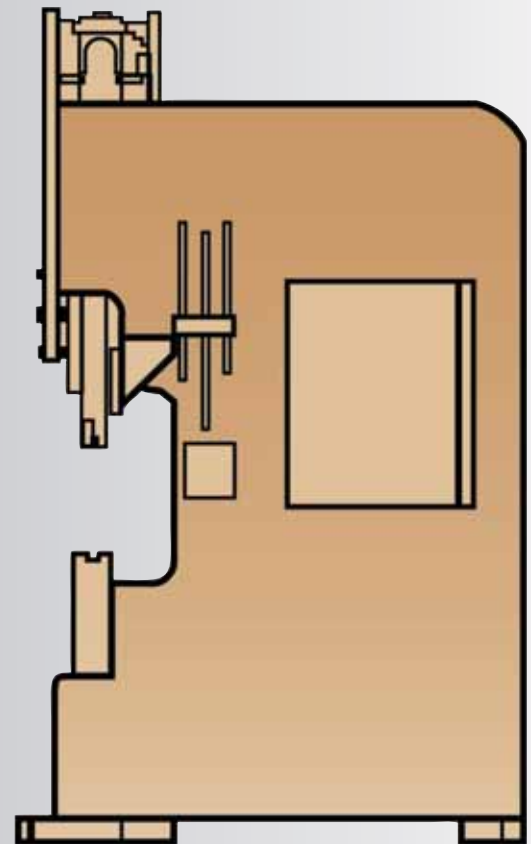


The hydraulic/mechanical system as used by Standard is certainly a superior concept as evident by the number of manufacturers currently offering similar products. However, we have more experience in years and thousands of products designed and manufactured than any in the business. Our design experience is reflected in our size and type of bearings and shafts as well as our technical capability to design a bellcrank system that does not have excessive side loads. All forces are vertical above the ram centerline and are contained in the "box" structure that houses the drive system and ram guides.

The ram of the press brake is guided by heavy duty slides as used in straight side presses. These slides are located both front and back of each end of the ram and are clearly superior to the small rear mounted guides found on other press brakes.



All press brakes require guides to contain end movement of the ram. Other manufacturers use tiny segmented guides incorporated in the main ram guides. The Standard design is to provide a heavy duty, self aligning system at the rear center of the ram and located inside the press frame. This system requires no operator action when the ram level is adjusted.



Press Brake Ram

# Start With The Best Foundation Possible ... And Build From There

Over the past 35 years we have overwhelmed our customers and our competition by the uncompromising rigidity of our machinery. This rigidity coupled with our simplicity and trouble free operation has made us one of the top selling press brake manufacturers in the world. In January of 2000 we initiated an unheard of 5 year parts and limited labor warranty that drastically separated us from our competition and we haven't stopped there. Our newly developed press brake ram and hydraulic systems have separated Standard Industrial even more from the other brake manufacturers.

Too many manufacturers today base their machines productivity on computerized technology rather than the quality of the brake itself. We here at Standard Industrial start with a solid well designed 100% U. S. made machine and then add the merits of CNC capability to provide you with the best machine on the market today.

- ***Most well built, heaviest brake on the market***
- ***Least amount of Deflection on any brake available***
- ***All parts covered for 5 years and afterwards a lifetime supply of available parts from your local vendors***



With full tonnage throughout the stroke and more importantly throughout the entire length of the bed and ram the Standard Industrial brake has a repeatability advantage over most dual cylinder brakes. Direct dual cylinder brakes require complicated hydraulic and electrical systems to balance their tonnage and they require a vast amount of labor and parts as the machines age. Typically the customer is forced to pay exorbitant prices for the parts and labor that they can only get from that manufacturer. We at Standard pride ourselves on the fact that customers can get parts for their brake from their local suppliers and the simplicity of the equipment requires only the most basic trouble shooting.



Another version of the dual cylinder machine is the torque tube brake that has two cylinders generating about 1/2 of the machines overall tonnage. Torque tube brakes do not generate full tonnage across the bed, they essentially only develop full tonnage in the center of the brake bed. The torque tube pulls tonnage from each cylinder which can cause distortion with off-center loading or full length bends.

When you have a Standard Industrial single cylinder brake there is no balancing act between cylinders and there are no expensive, complex hydraulic systems compensating for each cylinders weakness. One cylinder means full tonnage everywhere on the brake therefore you can achieve a ram repeat accuracy of +/- .001" no matter where you do your work.

When you start with the solidly built Standard Industrial machine, you know you have the best foundation possible and you build from there.

### **Our brakes were specifically designed for the following applications:**

- Full length bends where full tonnage across the bed is a necessity for the truest bends
- Off-center loading when any amount of the brakes tonnage is needed across the bed
- Center loading where any amount of the brakes tonnage is required
- Multiple die set-ups across the bed that require varying amounts of tonnage
- Punching applications in one area or at varied locations across the bed – each brake has a counter balance valve to allow the least shock to the hydraulic system
- Short piece work, with some of the fastest ram speeds on any brake, your small piece work is done quickly, easily and with precision.

AB325-12



- Any Size Facility will benefit for the Standard Industrial brake from the price conscious smaller facility that does piece by piece work up to the 3 shifts a day high production manufacturers that require dependable, low maintenance machines with readily available components for minimal downtime